

IMAS GROUP
REAL QUALITY MADE IN ITALY



flat panel *Radiators*





Flat Fronted Panel Radiators

The sleek flat front panel radiators are a cost effective, stylish and practical alternative to standard radiators. Available in the most popular sizes they are easy to install and the flat face provides a superior finish which is easier to maintain and clean.

IM11 Type 11 Horizontal (pag. 4-5)

Single steel flat panel with a single convector

- 3 heights
- 12 widths
- White RAL 9016 finish
- Available from stock
- 10 Year Guarantee



IM21 Type 21 Horizontal (pag. 6-7)

Double steel flat panels with single convector

- 1 height
- 5 widths
- White RAL 9016 finish
- Available from stock
- 10 Year Guarantee



IM22 Type 22 Horizontal (pag. 8-9)

Double steel flat panels with double convectors

- 4 heights
- 12 widths
- White RAL 9016 finish
- Available from stock
- 10 Year Guarantee



Type Vertical (10-11) Type 10-11-20-21-22

- 4 heights
- 4 widths
- White RAL 9016 finish
- Available from stock
- 10 Year Guarantee



Flat Panel radiators are manufactured and tested to EN442

IM11 Type 11 Horizontal flat panel radiator

- Single flat panel
- Single convector
- 3 heights and 12 widths
- White RAL 9016 finish
- Available from stock
- 10 year guarantee



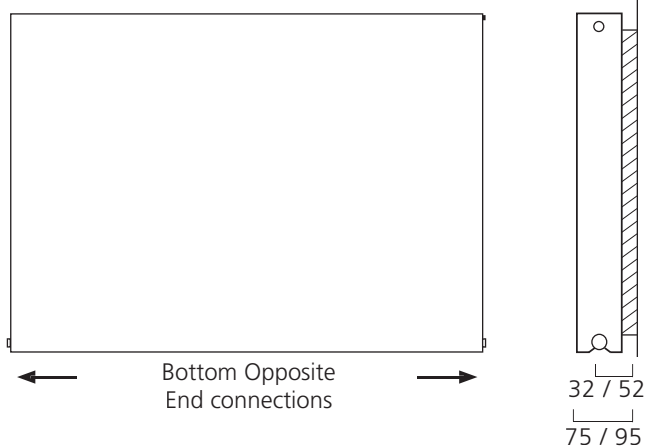
Type 11 Profile



Single steel panel with a single convector.



Technical Drawing



Pipe Centres

Pipe centres left to right = Width plus valves

Pipe centres from wall = 32mm / 52mm

Depth from wall = 75mm / 95mm

Radiator models and sizes

Model	Dimensions (mm)			Weight (kg)	Output Δt 50°C		Output Δt 55.5°C		Output Δt 60°C	
	Height	Width	Depth		Watts	Btu's	Watts	Btu's	Watts	Btu's
11/405/600	400	600	70	8.3	380	1297	435	1485	480	1639
11/405/800		800	70	11.1	506	1726	580	1978	640	2182
11/405/1000		1000	70	13.9	633	2160	725	2474	800	2730
11/405/1200		1200	70	16.7	760	2593	871	2970	961	3278
11/405/1400		1400	70	19.4	886	3023	1015	3463	1120	3821
11/405/1600		1600	70	22.2	1013	3456	1160	3959	1280	4368
11/405/1800		1800	70	25.0	1139	3886	1305	4451	1440	4912
11/405/2000		2000	70	27.8	1265	4316	1449	4944	1599	5456
11/505/400	500	400	70	7.1	301	1027	345	1176	380	1298
11/505/600		600	70	10.6	452	1542	518	1766	571	1949
11/505/800		800	70	14.1	602	2054	690	2353	761	2596
11/505/1000		1000	70	17.7	752	2566	861	2939	951	3243
11/505/1200		1200	70	21.2	903	3081	1034	3529	1141	3894
11/505/1400		1400	70	24.7	1053	3593	1206	4115	1331	4541
11/505/1600		1600	70	28.3	1204	4108	1379	4705	1522	5193
11/505/1800		1800	70	31.8	1355	4623	1552	5295	1713	5844
11/505/2000	2000	70	35.3	1505	5135	1724	5882	1902	6491	
11/605/400	600	400	70	8.7	347	1184	397	1356	439	1497
11/605/600		600	70	13.1	522	1781	598	2040	660	2251
11/605/800		800	70	17.4	696	2375	797	2720	880	3002
11/605/1000		1000	70	21.8	869	2965	995	3396	1098	3748
11/605/1200		1200	70	26.2	1043	3559	1195	4076	1318	4499
11/605/1400		1400	70	30.5	1217	4152	1394	4756	1538	5248
11/605/1600		1600	70	34.9	1391	4746	1593	5436	1758	5999
11/605/1800		1800	70	39.2	1565	5340	1793	6116	1978	6750
11/605/2000	2000	70	43.6	1739	5933	1992	6796	2198	7500	

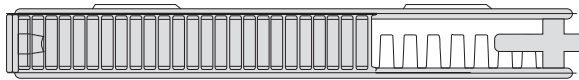
The Type 11 has a test pressure of 13 Bar, maximum operating pressure of 8 bar and the maximum working temperature is 110°C

IM21 Type 21 Horizontal flat panel radiator

- Double flat panels
- Single convector
- 1 height and 5 widths
- White RAL 9016 finish
- Available from stock
- 10 year guarantee



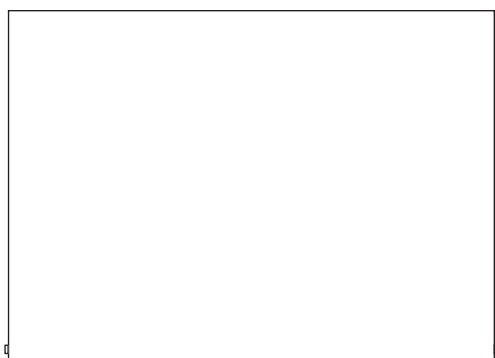
Type 21 (p+) Profile



Double steel panels (one front, one back) with a single convector.



Technical Drawing



← Bottom Opposite End connections →



58

100

Pipe Centres

Pipe centres left to right = Width plus valves

Pipe centres from wall = 58mm

Depth from wall = 100mm

Radiator models and sizes

Model	Dimensions (mm)			Weight (kg)	Output Δt 50°C		Output Δt 55.5°C		Output Δt 60°C	
	Height	Width	Depth		Watts	Btu's	Watts	Btu's	Watts	Btu's
21/605/600	600	600	75	13.1	729	2487	835	2849	921	3144
21/605/800		800	75	17.4	972	3316	1113	3799	1229	4192
21/605/1000		1000	75	21.8	1215	4146	1392	4748	1536	5240
21/605/1200		1200	75	26.2	1458	4975	1670	5698	1843	6288
21/605/1400		1400	75	30.5	1701	5804	1948	6648	2150	7336

The Type 21 (p+) has a test pressure of 13 Bar, maximum operating pressure of 8 bar and the maximum working temperature is 110°C

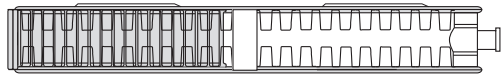


IM22 Type 22 Horizontal flat panel radiator

- Double flat panels
- Double convectors
- 4 heights and 12 widths
- White RAL 9016 finish
- Available from stock
- 10 year guarantee



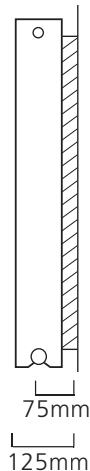
Type 22 Profile



Double steel panels (one front, one back) with double convectors.



Technical Drawing



Pipe Centres

Pipe centres left to right = Width plus valves

Pipe centres from wall = 75mm

Depth from wall = 125mm

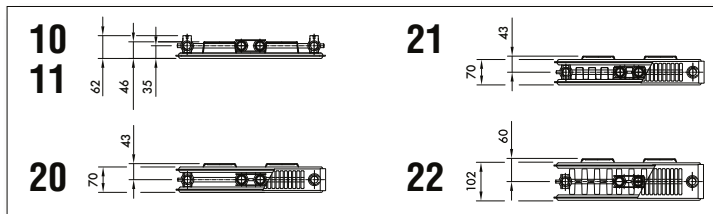
Radiator models and sizes

Model	Dimensions (mm)			Weight (kg)	Output Δt 50°C		Output Δt 55.5°C		Output Δt 60°C	
	Height	Width	Depth		Watts	Btu's	Watts	Btu's	Watts	Btu's
22/305/800	300	800	102	15.8	702	2395	804	2743	887	3028
22/305/1000		1000	102	19.7	878	2996	1006	3431	1110	3787
22/305/1200		1200	102	23.6	1053	3593	1206	4115	1331	4541
22/305/1400		1400	102	27.6	1229	4193	1408	4803	1553	5300
22/305/1600		1600	102	31.5	1404	4790	1608	5487	1775	6055
22/305/1800		1800	102	35.5	1580	5391	1810	6175	1997	6814
22/405/400	400	400	102	9.7	448	1529	513	1751	566	1932
22/405/600		600	102	14.6	672	2293	770	2626	849	2898
22/405/800		800	102	19.5	896	3057	1026	3502	1133	3864
22/405/900		900	102	21.95	1009	3443	1155	3942	1275	4350
22/405/1000		1000	102	24.4	1121	3825	1284	4381	1417	4835
22/405/1200		1200	102	29.2	1345	4589	1541	5256	1700	5801
22/405/1400		1400	102	34.1	1569	5353	1797	6132	1983	6767
22/405/1600		1600	102	39.0	1793	6118	2054	7007	2266	7733
22/405/1800		1800	102	43.9	2017	6882	2310	7883	2549	8699
22/405/2000		2000	102	48.7	2241	7646	2567	8758	2833	9665
22/505/400	500	400	102	12.0	541	1846	620	2114	684	2333
22/505/600		600	102	18.0	811	2767	929	3169	1025	3498
22/505/800		800	102	24.0	1082	3692	1239	4229	1368	4666
22/505/1000		1000	102	30.1	1352	4613	1549	5284	1709	5831
22/505/1200		1200	102	36.1	1622	5534	1858	6339	2050	6995
22/505/1400		1400	102	42.1	1893	6459	2168	7398	2393	8164
22/505/1600		1600	102	48.1	2163	7380	2478	8453	2734	9329
22/505/1800		1800	102	54.1	2434	8305	2788	9512	3077	10497
22/505/2000		2000	102	60.1	2704	9226	3097	10568	3418	11662
22/605/400		600	400	102	33.2	650	2218	745	2540	822
22/605/600	600		102	22.5	976	3330	1118	3814	1234	4209
22/605/700	700		102	26.25	1138	3883	1304	4449	1439	4910
22/605/800	800		102	30.0	1301	4439	1490	5084	1644	5611
22/605/900	900		102	33.75	1463	4992	1675	5718	1849	6310
22/605/1000	1000		102	37.5	1625	5545	1861	6351	2054	7009
22/605/1100	1100		102	41.25	1788	6101	2047	6986	2260	7709
22/605/1200	1200		102	45.0	1950	6653	2234	7620	2465	8409
22/605/1400	1400		102	52.5	2275	7762	2606	8891	2876	9811
22/605/1600	1600		102	60.0	2601	8875	2979	10165	3288	11218
22/605/1800	1800		102	67.5	2926	9984	3351	11436	3698	12620
22/605/2000	2000		102	75.0	3251	11092	3724	12705	4109	14021

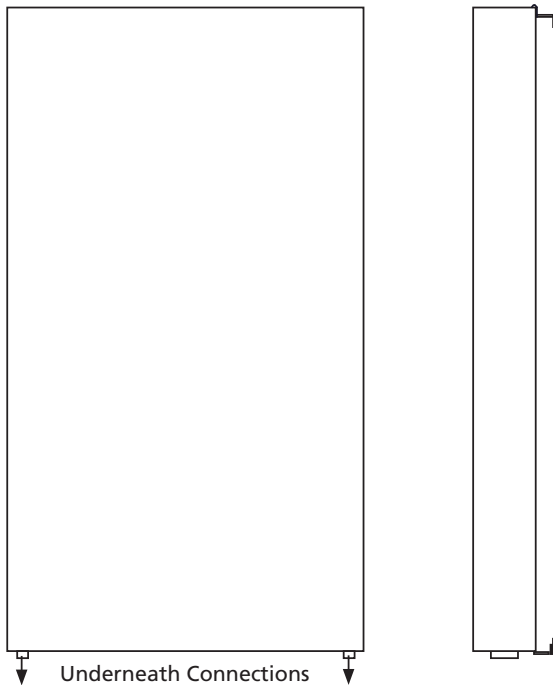
The Type 22 has a test pressure of 13 Bar, maximum operating pressure of 8 bar and the maximum working temperature is 110°C

Type Vertical IM 10-11-20-21-22 flat panel radiator

- White RAL 9016 finish
- Available from stock
- 10 year guarantee



Technical Drawing



Optional Towel Bar available



Radiator models and sizes

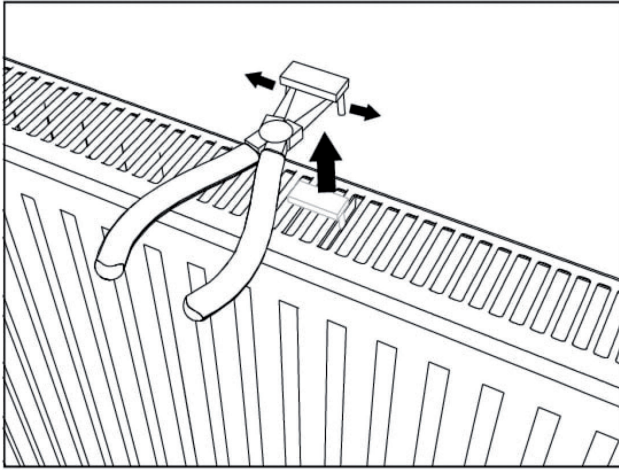
20 °C		Type 10				Type 11				Type 20				Type 21				Type 22			
Length (mm)	T1/T2	Height H (mm)																			
	(°C)	1600	1800	2000	2200	1600	1800	2000	2200	1600	1800	2000	2200	1600	1800	2000	2200	1600	1800	2000	2200
400	90/70	850	944	1043	1148	1094	1207	1316	1421	1314	1453	1582	1719	1536	1688	1825	1962	1840	2008	2175	2342
	75/65	671	745	823	906	863	952	1038	1121	1037	1146	1248	1356	1212	1332	1440	1548	1452	1584	1716	1848
	70/55	543	603	666	733	699	771	840	908	840	928	1010	1098	981	1078	1166	1253	1175	1282	1389	1496
	55/45	345	383	424	466	444	490	534	577	534	590	642	698	624	686	741	797	747	815	883	951
500	90/70	1063	1181	1304	1436	1368	1508	1645	1776	1643	1816	1977	2148	1920	2110	2281	2453	2300	2510	2719	2928
	75/65	839	932	1029	1133	1079	1190	1298	1401	1296	1433	1560	1695	1515	1665	1800	1935	1815	1980	2145	2310
	70/55	679	755	833	917	874	963	1051	1134	1049	1160	1263	1372	1226	1348	1457	1566	1469	1603	1736	1870
	55/45	432	480	530	583	555	613	668	721	661	738	803	873	780	857	927	996	934	1019	1104	1189
600	90/70	1275	1417	1565	1722	1640	1809	1973	2131	1971	2179	2373	2578	2304	2532	2738	2943	2761	3011	3262	3513
	75/65	1006	1118	1235	1359	1294	1427	1557	1681	1555	1719	1872	2034	1818	1998	2160	2322	2178	2376	2574	2772
	70/55	814	905	1000	1100	1048	1155	1260	1361	1259	1392	1515	1647	1472	1617	1749	1880	1763	1923	2084	2244
	55/45	518	575	636	700	666	735	801	865	800	885	964	1047	936	1028	1112	1195	1121	1223	1325	1427
800	90/70	1488	1653	1826	2010	1914	2110	2303	2485	2299	2543	2768	3008	2688	2954	3194	3434	3221	3513	3806	4099
	75/65	1174	1304	1441	1586	1510	1665	1817	1961	1814	2006	2184	2373	2121	2331	2520	2709	2541	2772	3003	3234
	70/55	950	1056	1167	1284	1222	1348	1471	1588	1469	1624	1768	1921	1717	1887	2040	2193	2057	2244	2431	2618
	55/45	604	671	742	816	777	857	935	1009	934	1033	1124	1222	1092	1200	1297	1394	1308	1427	1546	1665

The Type 10-11-20-21-22 has a test pressure of 13 Bar, maximum operating pressure of 10 bar and the maximum working temperature is 110°C

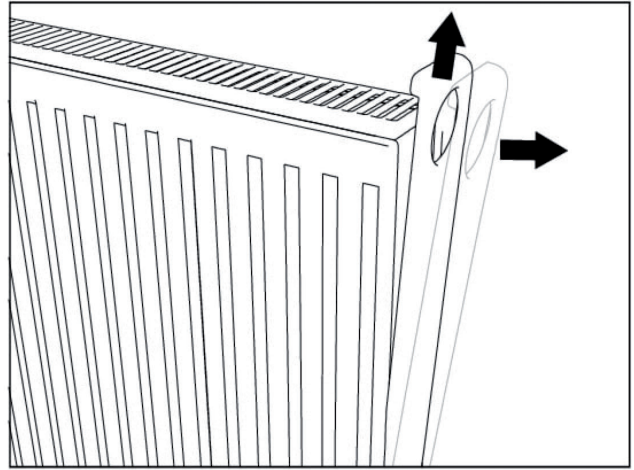
flat panel Radiators

Mounting kits

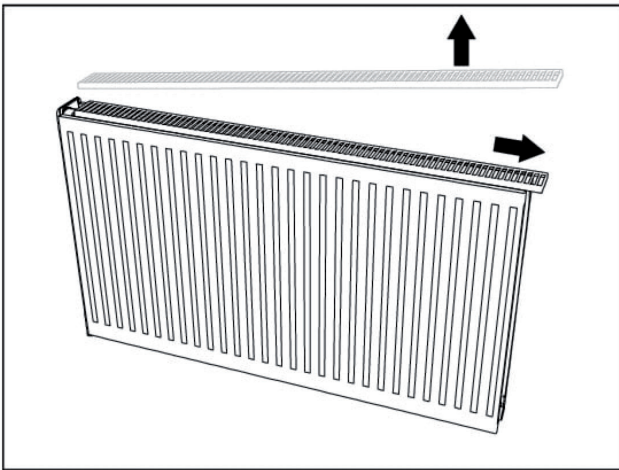
1)



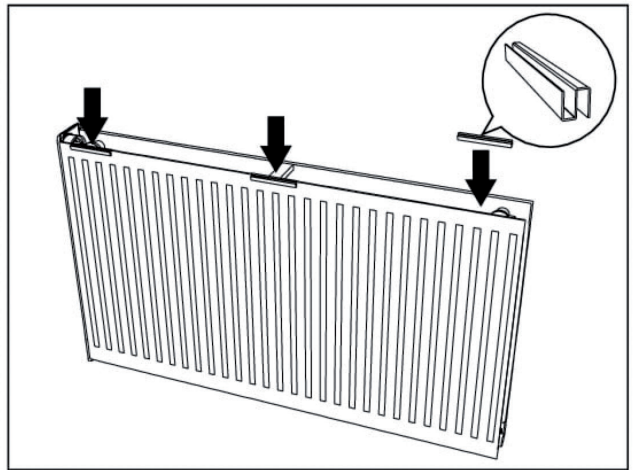
2)



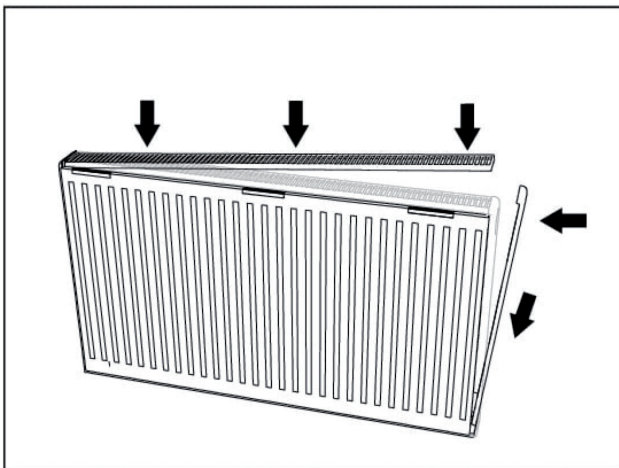
3)



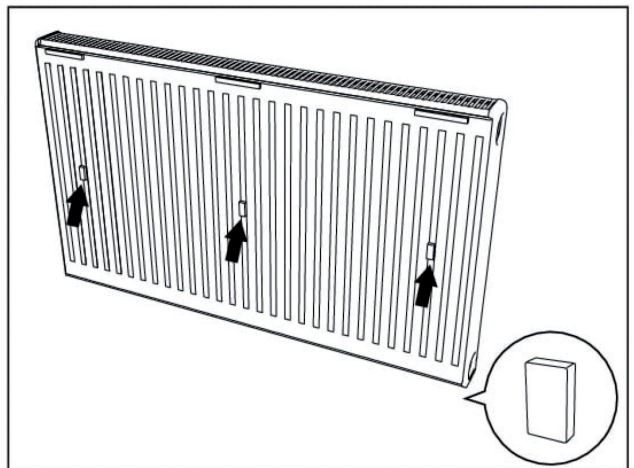
4)



5)



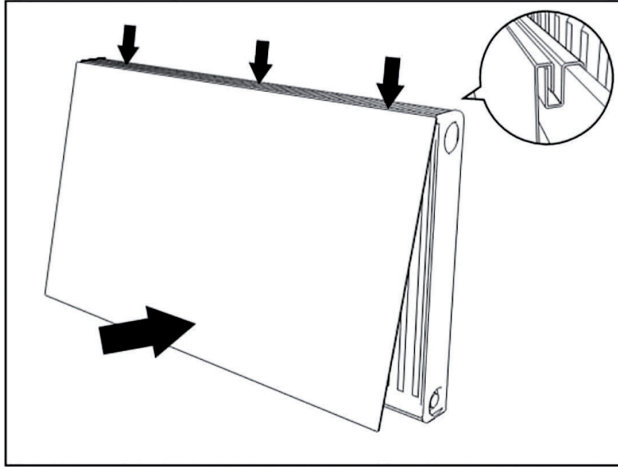
6)



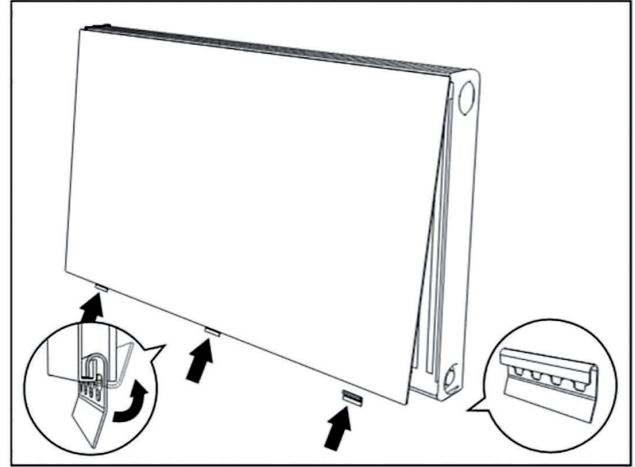
flat panel Radiators

Mounting kits

7)



8)



GB Accessories – delivered as standard DE Zubehör – Bestandteil der Verpackung FR Accessoires dans l’emballage NL Toebehoren in de verpakking CZ Příslušenství – součást balení PL Akcesoria – część pakietu RU Аксессуары – часть пакета:

400 - 2000	4	+	4
2200 - 3000	8	+	8
			4 € 12,45/set 8 € 14,90/set

Flat panel powdercoated in RAL 9016

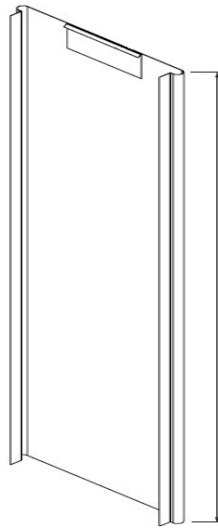
Min. order q.ty: 10 pcs

LENGTH	H. 300	H. 400	H. 500	H. 600	H. 800	H. 900
	€/pc	€/pc	€/pc	€/pc	€/pc	€/pc
400	27,22	28,12	36,06	36,29	47,46	50,69
500 *	29,48	31,75	38,78	40,03	54,09	56,25
600	31,81	35,32	41,56	43,83	57,44	64,01
700 *	33,57	38,50	45,42	47,63	64,35	73,20
800	35,32	41,73	49,27	51,48	69,74	81,25
900 *	37,59	44,51	52,79	55,74	75,58	89,30
1000	39,92	47,29	56,36	60,05	81,70	99,57
1200	44,51	54,66	63,11	68,49	93,78	116,80
1400	52,33	61,75	73,65	80,46	110,22	127,01
1600	61,24	67,59	80,57	88,96	124,34	137,21
1800	64,75	74,05	88,62	97,35	138,57	148,61
2000	73,77	82,73	100,76	108,18	147,99	162,67
2200 *	81,14	91,00	111,42	119,58	159,16	175,09
2400 *	88,51	99,28	122,02	130,92	170,38	186,26
2600 *	95,88	107,50	132,17	142,49	184,56	196,52
2800 *	159,95	115,78	142,32	154,00	198,73	208,26
3000 *	119,01	134,04	152,81	165,05	212,97	219,71



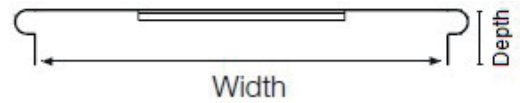
* Available only on demand

Decorad Plan Vertical - Curve



DECORAD

Type: 10 - 11 20 - 21	Finishing: Matt*	Material: Steel
Delivery: 4 weeks	Warranty: 10 years	Installation: Magnets **



Code Anthracite RAL 7016	Gross Price	Height mm	Width mm	Depth mm
PFC 68mm 400x1600	€ 131,20	1600	400	68
PFC 68mm 500x1600	€ 144,75	1600	500	68
PFC 68mm 600x1600	€ 176,85	1600	600	68
PFC 68mm 400x1800	€ 140,30	1800	400	68
PFC 68mm 500x1800	€ 155,50	1800	500	68
PFC 68mm 600x1800	€ 188,20	1800	600	68
PFC 68mm 400x2000	€ 149,35	2000	400	68
PFC 68mm 500x2000	€ 166,20	2000	500	68
PFC 68mm 600x2000	€ 200,45	2000	600	68
PFC 68mm 400x2200	€ 158,30	2200	400	68
PFC 68mm 500x2200	€ 176,15	2200	500	68
PFC 68mm 600x2200	€ 212,45	2200	600	68

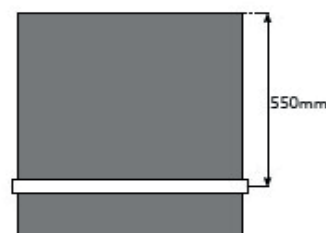


** Magnets kit: n° 6 magnets to hold securely the panel to the radiator € 16,60/kit

Type 11K H1800/W500

Optional white towel holders for type 20 / type 21 / Decorad Vertical - Curve

Towel Holders	Gross Price	Code
400 mm width	€ 150,00	TH400
500 mm width	€ 167,00	TH500
600 mm width	€ 184,00	TH600



* Also available in White RAL 9016 / Other finishing and colors available on request

N O T E S



A series of horizontal dotted lines for writing notes, consisting of 18 lines spaced evenly down the page.



IMAS GROUP
REAL QUALITY MADE IN ITALY

NUOVA IMAS Srl

31020 San Zenone degli Ezzelini (TREVISO) ITALY - Street Roma, 163 - Tel. +39 0423 968402 - Fax +39 0423 567216
info@imasradiators.com - www.imasradiators.com