



SPECIFICATIONS

Static Pressure/Temp Service: 360 PSI / -4°F to 250°F (600 WOG)
 Chilled water, hot water, up to 50% Glycol

Flow Optimizer: Glass Filled Polymer

Body Material: Forged Brass ASTM B283-06

End Connections: Brass

Stem: Brass

Stem Seals: EPDM O-Rings

Ball Valve: Nickel-plated brass ball
 Optional: Stainless Steel ball

Field Repairable Stem: Dual Teflon seals and EPDM O-ring

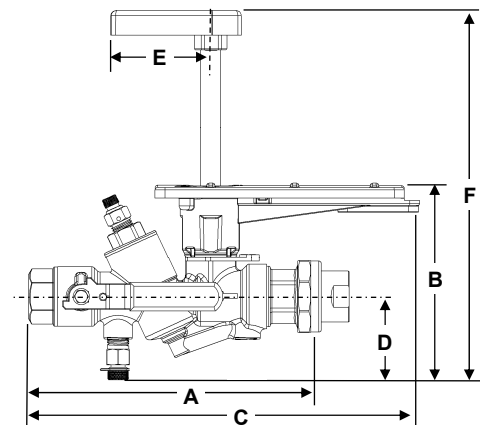
Ball Seals: Teflon Seals with EPDM O-Rings

Angle of Rotation: 0-90°

Accessories: Combination P/T Test Valve and Manual Air Vent (CPTA) Standard

Leakage Rate: ANSI Class IV, .01% of Cv

NOTE: The PIC-V is available with fixed x fixed ends or fixed x union ends. (fixed x fixed shown in color image. Fixed x union shown in dimensional drawing)



DIMENSIONS & WEIGHTS (NOMINAL)

All dimensions are for planning purposes only and may change without notice.

SIZE	A: LENGTH ¹		UNION CONNECTION ²			B HEIGHT	C LENGTH ¹	D HEIGHT	E HANDLE	F HEIGHT	DEPTH (NOT SHOWN)	WEIGHT
	Fixed/Fixed	Fixed/Union	FNPT	MNPT	SWT							
1/2"	6.7	7.9	1.0	1.0	0.7	5.3	9.6	2.5	2.5	9.9	4.1	3.3
3/4"	6.7	7.9	1.0	1.0	0.9		9.6					
1"	6.9	8.0	N/A ³	1.4	1.3		9.7					
1"L	10.4	10.6	1.7	1.7	1.7	6.0	12.3	2.7	2.5	10.7	5.0	7.8
1-1/4"	9.8	10.3	1.7	1.7	1.7		12.0					
1-1/2"	9.6	10.2	1.7	1.7	1.4		11.9					
1-1/2"L	11.9	12.6	1.6	1.6	1.7	7.1	14.0	3.5	2.5	11.8	6.0	15.2
2"	11.8	12.5	N/A ³	1.6	1.6		13.9					
2-1/2"	12.8	N/A	N/A	N/A	N/A	6.6	14.0	3.1	2.5	11.4	5.0	16.0
3"	13.0	N/A	N/A	N/A	N/A		14.3					

NOTES:

¹ Length measured with fixed end FNPT; SWT end connection may be longer.
² For overall length, add union connection length to Fixed x Union body length.
³ Tailpiece is not available for this size. Male tailpiece used with coupling.

HIGH LIMIT FLOW RATES (+/-5%)

To correctly size your valve, select a high limit flow rate that is equal to or greater than the required flow rate.

SIZE	MODEL NO.	PSID RANGE	HEAD LOSS IN FEET ⁴	CLOSE-OFF PSID	GPM
1/2", 3/4", 1"	PICV0	3-35	6.9	100	1.0, 2.0, 3.0, 4.0, 5.0, 6.0, 7.0
3/4", 1"		6-35	13.8		8.0, 9.0, 10.0, 11.0, 15.0
1"L, 1-1/4", 1-1/2"	PICV1	4-50	9.2		10, 15, 20
1-1/4", 1-1/2"		5-50	11.5		25,30
1-1/2"L, 2", 2-1/2",3"	PICV2	6.5-50	14.9		35
		4-58	9.2		25, 30, 35
		6-58	13.8		40, 45, 50
2", 2-1/2",3"		7-58	16.1		55, 60, 65, 70, 75, 80, 85
		11-58	25.3		95

MODEL NUMBER SELECTION

P I C V

Select a Housing Size: 0=1/2"-1",
1=1"L-1-1/2", 2=1-1/2"L-3"

Select Ball and Stem Package (P=Plated Ball, S=SS Ball and Stem)

Valve	FIXED END OR UNION END ⁵		UNION END ONLY ⁵
	Female Threaded	Female Sweat	Male Threaded
PICV0	1/2"=E, 3/4"=F, 1"=G ⁶	3/8"=K ⁷ , 1/2"=L, 3/4"=M, 1"=N	1/2"=H, 3/4"=I, 1"=J
PICV1	1"=G, 1-1/4"=P, 1-1/2"=Q	1"=N, 1-1/4"=K, 1-1/2"=W	1/2"=H, 3/4"=I, 1"=J, 1-1/4"=S, 1-1/2"=T
PICV2	1-1/4"=P ⁷ , 1-1/2"=Q, 2"=R ⁸ , 2-1/2"=S ⁸ , 3"=T	1-1/4"=K ⁷ , 1-1/2"=W ⁹ , 2"=Y	1"=J, 1-1/4"=S, 1-1/2"=T, 2"=U

For fixed end by fixed end fill in 2nd digit with an "X"

SIZE	MODEL NO.	FLOWS
1/2", 3/4", 1"	PICV0	1.0, 2.0, 3.0, 4.0, 5.0, 6.0, 7.0
3/4", 1"		8.0, 9.0, 10.0, 11.0, 15.0
1"L, 1-1/4", 1-1/2"	PICV1	10, 15, 20
1-1/4", 1-1/2"		25,30
1-1/2"L, 2", 2-1/2",3"	PICV2	35
		25, 30, 35
		40, 45, 50
2", 2-1/2",3"		55, 60, 65, 70, 75, 80, 85
		95

T= Optional
3" x 3"
Aluminum
Hanging ID Tag

Insulation Option¹⁰
0=No, 1=1-1/2", 2=2"

Insert Actuator Model Number. If Actuator is supplied by others, insert "1" for Neptronic, "2" for Johnson Controls, "3" for Schneider Electric, "4" for Honeywell, "5" for Siemens, "6" for Belimo, "7" for KMC Controls

NOTES:

⁴ Head loss in feet is required for pump head calculations. (1 PSI = 2.307 feet of water).

⁵ Select the fixed end first and the union end second.

⁶ Tailpiece not available for this size. Male tailpiece used with coupling.

⁷ Fixed end not available for this size. Union tailpiece only.

⁸ 2-1/2" and 3" is available only with fixed ends.

⁹ Sweat Fixed end not available for this size.

¹⁰ Insulation Option only available on 1/2" to 1-1/2" models. Not available for 1-1/2"L, 2", 2-1/2" and 3" models.

ACTUATOR SELECTION



The Griswold Controls Universal Mounting Plate on all 1/2" to 3" valves is compatible with the following actuators besides the actuators detailed in the following tables. Contact the factory if you have a different model number not listed below.¹⁰

- Honeywell:** ML6161D2006, ML6174D2009, ML7161A2008, ML7174A2001, ML6185A1000, ML6185C1008, ML8185A1008, ML8185C1006, ML7285A1007, ML7285C1005, MN6105, MN7510, MN7520, MN6110
- Schneider Electric:** MF40-6083, MA40-7043, MA40-7043-501, MA40-7040, MA40-7040-501, MF40-7043, MF40-7043-501, MS40-7043, MS40-7043-501
- Johnson Controls:** M9106-AGA2, M9106-AGC2, M9106-GGA2, M9106-GGC2, M9206-AGA2, M9206-AGC2, M9206-GGA2, M9206-GGC2, M9104-AGA-2S, M9208-GGA-2, M9208-GGA-3
- Belimo:** LM24, LM24S, LF24, LF24S, LF120, LF120S, LF24-3, LF24-3S, LM24SR, LF24SR, LF24SRS, LMB24-SR-T, LMB24-3-T
- Neptronic:** BBT-24, BBT-1000, BBT-1060, BBT-1021, BBT-1080, BBTHV-1100, BBTHV-1160, BBTHV-1120, BBTHV-1180, BBM2000A, BBM2060A

SUITABLE FOR 1/2" TO 3" VALVES

SIEMENS	GDE131.1P	GDE161.1P	GMA121.1P	GMA131.1P	GMA161.1P
Power Supply	24Vac	24Vac	24Vac/dc	24Vac/dc	24Vac/dc
Torque	44 in-lb	44 in-lb	62 in-lb	62 in-lb	62 in-lb
Control Signal: On/Off			•		
Control Signal: 3 Point	•			•	
Control Signal: Modulating 0–10 VDC		•			•
Speed	90 sec	90 sec	90 sec	90 sec	90 sec
Fail Safe (Spring Return)			•	•	•
Operating Power	3.3 VA	3.3 VA	5 VA	5 VA	5 VA
Mounting Components	9656-250	9656-250	9656-250	9656-250	9656-250
Weight	1.1 pounds	1.1 pounds	3.0 pounds	3.0 pounds	3.0 pounds
Wiring Diagram	<p>Power Supply Where 6 is CW and 7 is CCW</p>				

NOTES:

¹⁰ Do not use actuators capable of torques higher than 90 in-lbs.

SUITABLE FOR 1/2" TO 1" VALVES ONLY

KMC CONTROLS	MEP-4201	MEP-4255	MEP-4252
Power Supply	24 Vac/dc	100-240 Vac	24 Vac/dc
Torque	25 in-lb	25 in-lb	25 in-lb
Control Signal: On/Off	•	•	
Control Signal: 3 Point	•		
Control Signal:			Modulating 2-10VDC
Speed	<35 sec	<25 sec	<50 sec
Fail Safe (Capacitor)		•	•
Operating Power	6 VA	6 VA	6 VA
Mounting Components	9656-248	9656-248	9656-248
Weight	1.1 pounds	1.5 pounds	1.5 pounds
Wiring Diagram	See actuator cover for wiring diagram		

SUITABLE FOR 1/2" TO 3" VALVES

KMC CONTROLS	MEP-4001	MEP-4002	MEP-4554	MEP-4555	MEP-4501	MEP-4552 (formerly MEP-5372)	MEP-4551 (formerly MEP-5373)	MCP- 36315000
Power Supply	24 Vac	24 Vac	24 Vac/dc	100-240 Vac	24 Vac	24 Vac	24 Vac	Pneumatic
Torque	40 in-lb	40 in-lb	45 in-lb	45 in-lb	40 in-lb	45 in-lb	45 in-lb	59 in-lb
Control Signal: On/Off			•	•	•			
Control Signal: 3 Point	•				•		•	
Control Signal:		Modulating 2-10VDC				Modulating 2-10VDC		8-13 psi
Speed	90 sec	90 sec	<35 sec	<25 sec	<35 sec	50 sec	90 sec	
Fail Safe (Capacitor)			•	•		•	•	
Operating Power	2 VA	4 VA	6 VA	6 VA	6 VA	6 VA	6 VA	
Mounting Components	9656-250	9656-250	9656-248	9656-248	9656-248	9656-250	9656-250	9656-852
Weight	1.1 pounds	1.1 pounds	1.5pounds	1.5 pounds	1.1 pounds	3.0 pounds	3.0 pounds	1.5 pounds
Wiring Diagram	See actuator cover for wiring diagram							