

# Technical Data Sheet



## LC-N

### Complete Water Heating Solutions

*Engineered Solutions*

Lync LC-N is a complete, fully engineered domestic hot water system solution. Expertly designed by the manufacturer, Lync LC-N combines high efficiency water heaters, precise digital tempering valves, and AquaSolve® anti-scale technology to deliver safe, reliable hot water through a compact, pre-assembled, redundant system.

LC-N simplifies a complex system design so it can be easily dropped into plans. With the ability to select the right configuration for each application, you can be assured that all components will work together to produce an optimal domestic hot water plant. The LC-N's system building recirculation return connection optimizes performance and increases energy savings, while its dual temperature zones offer more flexibility, along with better redundancy. LC-N is configurable with options of two to five water heaters which suit both new and retrofit buildings across a variety of applications including hotels, restaurants, gyms, hospitals, factories, apartments and schools.



LC-N provides N+1 redundancy without having to oversize your system. The anti-scale water treatment helps to reduce scaling where biofilms are likely to grow, helps to extend the life of your system, and increases overall performance. With higher reliability and warranty as compared to cheaper water heaters, LC-N reduces downtime, simplifies installation and design time, and provides a convenient, single source for support.

## Features

### Fully Engineered and Factory-Assembled

- Ultra-compact footprint with connections at the top and minimal clearance requirements optimized for space and redundancy
- System configurable with options from two to five heaters
- Reduced project, design and installation times
- Lower construction costs for new installations
- Significantly reduced downtime during retrofits
- Dual temperature zones in a single package

### Increased Energy Savings

- High efficiency water heaters with a 25-gallon internal buffer
- High turndown (7:1) with spark ignition
- Up to 96% thermal efficiency at full input

- 185°F maximum water temperature setpoint
- High and tempered temperature outlets for mixed applications

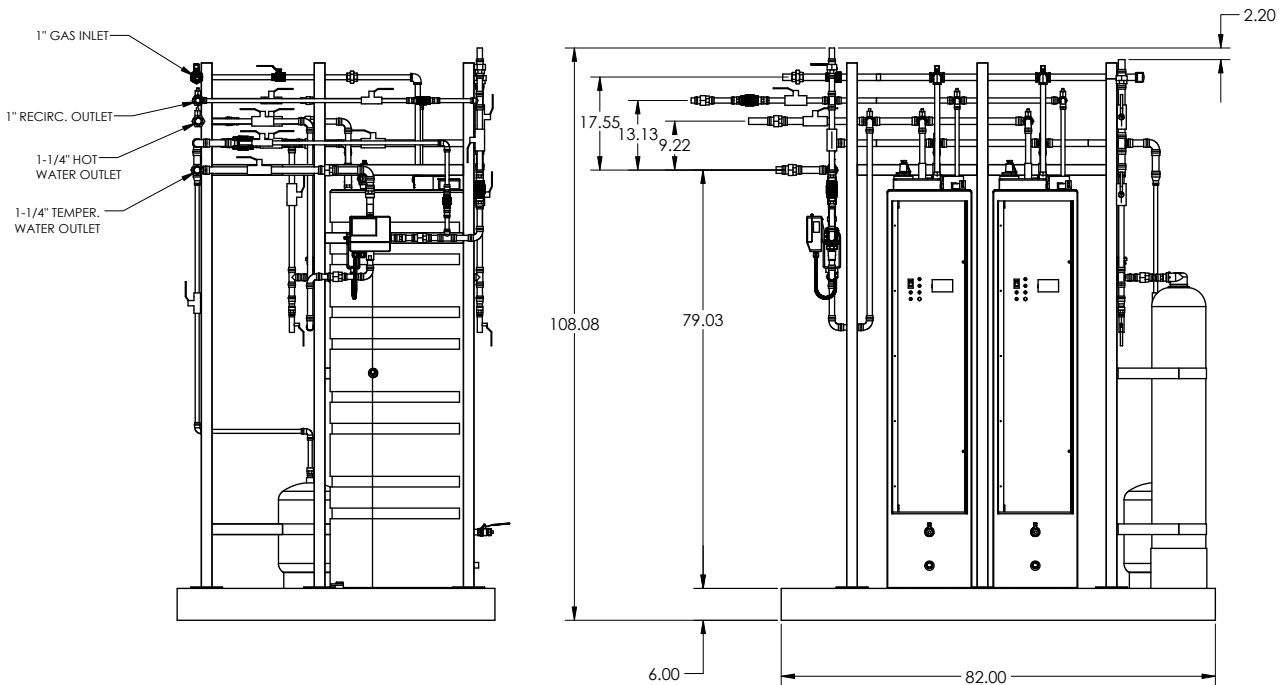
### Superior Safety, Reliability and Longevity

- AquaSolve anti-scale technology protects equipment and ensures system longevity without chemicals or salts
- High turnover and internal recirculation pump eliminate stagnation and mitigate risks of Legionella and other waterborne pathogens
- Uniquely passivated duplex stainless steel is corrosion-resistant at any temperature; no need for anode rods or linings
- User-friendly touch screen electronic control with diagnostics and BAS communication
- Precise digital mixing ensures safe, consistent water temperatures

# Technical Data

Unit	LC-N-400	LC-N-600	LC-N-800	LC-N-1000	
Performance	Number of Heaters	2	3	4	5
	Design Flow <sup>1</sup> [GPM]	13	19	26	32
	BTU Input [BTU]	398,000	597,000	796,000	995,000
	Recovery at $\Delta 70^{\circ}\text{F}$ [GPM]	10.6	15.9	21.2	26.4
	Recovery at $\Delta 100^{\circ}\text{F}$ [GPM]	7.4	11.1	14.8	18.5
	Total Internal Volume [Gal]	50	75	100	125
	Max Gas Flow [ft <sup>3</sup> /hr]	398	597	796	995
	Inlet Gas Pressure Requirements	Natural gas: 3.5 - 14" w.c.			
Electrical Data <sup>2, 3</sup>	Voltage [V], Phase, Frequency [Hz]	120, 1Ø, 60			
	Amps [A]	5 / unit			
Dimensions	Width [in]	82	102	154	174
	Depth [in]	60	60	60	60
	Height [in]	108	108	108	108
	Shipping Weight [lbs]	2000	2550	3500	4100
	Wet Weight [lbs]	2460	3240	4420	5250

1. Design Flow calculated 60°F to 140°F and blended to 125°F. For other conditions, contact your Lync rep.
2. Electrical Data specific to each individual heater
3. Digital mixing system electrical data: Power: 115 – 230 V(AC) ± 10%, 50/60 Hz, 20 VA / Actuator Load: 24 V(DC), 0.55 A, 13 W



For dimensions on all models, please refer to dimensional drawings.

Engineered Solutions

Fort Worth, TX • (817) 335-9531

© 2021 Lync