

Technical Data Sheet



Engineered Solutions

LC-Q Complete Water Heating Solutions

Lync LC-Q is a complete, fully engineered domestic hot water system solution. Expertly designed by the manufacturer, Lync LC-Q combines high efficiency water heaters, precise digital tempering valves, and Lync Anti-scale technology to deliver safe, reliable hot water through a compact, pre-assembled, redundant system.

LC-Q simplifies a complex system design so it can be easily dropped into plans. With the ability to select the right configuration for each application, you can be assured that all components will work together to produce an optimal domestic hot water plant. The LC-Q's building recirculation return connection optimizes performance and increases energy savings, while its dual temperature zones offer more flexibility, along with better redundancy. LC-Q is configurable with options to suit both new and retrofit buildings across a variety of applications including hotels, restaurants, gyms, hospitals, factories, apartments and schools.



LC-Q supports larger commercial buildings through high efficiency dynamic water heaters with less storage, than a traditional tank installation. The anti-scale water treatment helps to reduce scaling where biofilms are likely to grow, extends the life of your system, and increases overall performance. With higher reliability and warranty as compared to cheaper water heaters, LC-Q reduces downtime, simplifies installation and design time, and provides a convenient, single source for support.

Features

Fully Engineered and Factory-Assembled

- Compact footprint with minimal clearance requirements
- Reduced project, design and installation times
- Lower construction costs for new installations
- Significantly reduced downtime during retrofits
- Dual temperature zones in a single package

Increased Energy Savings

- High efficiency water heaters with a 130-gallon internal buffer
- Annual standby losses much lower than ASHRAE 90.1 requirements
- 97% thermal efficiency at full input
- High and tempered temperature outlets for mixed applications

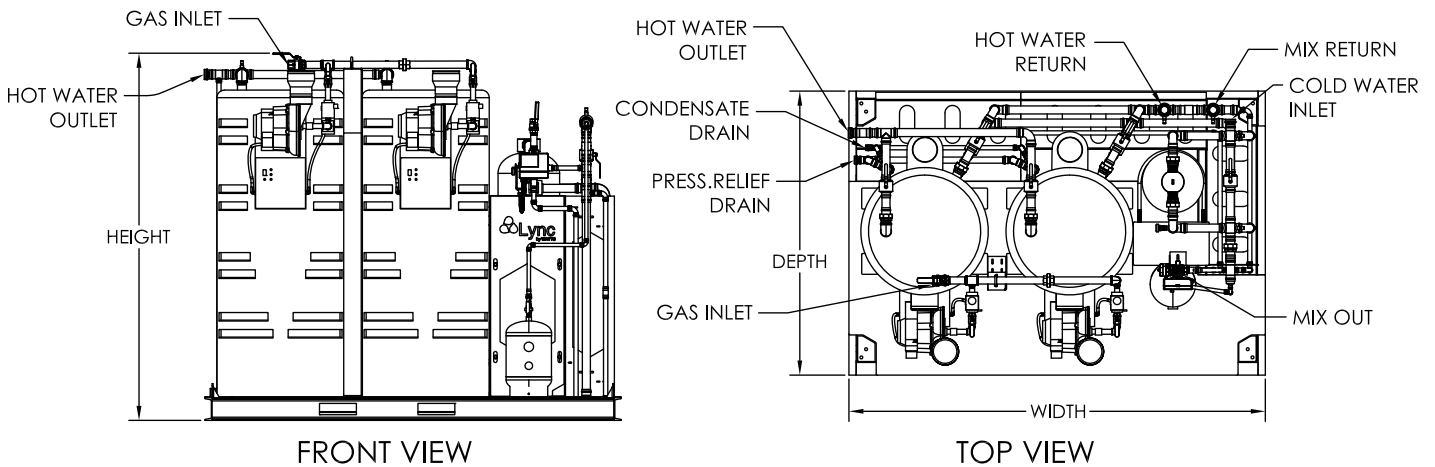
Superior Safety, Reliability and Longevity

- Lync Anti-scale technology helps protect equipment and increases system longevity without chemicals or salts
- Internal recirculation pump eliminates stagnation and mitigates Legionella risks
- Uniquely passivated duplex stainless steel is corrosion-resistant at any temperature; no need for anode rods or linings
- User-friendly touch screen electronic control with diagnostics and BAS communication
- Burner modulation prevents short cycling extending system life and reducing maintenance costs
- Precise digital mixing ensures safe, consistent water temperatures

Technical Data

Unit	LC-Q-800-2	LC-Q-1000-2	LC-Q-1200-2	LC-Q-1400-2	LC-Q-1600-2	LC-Q-1800-2	LC-Q-2000-2	LC-Q-1200-3	LC-Q-1500-3	LC-Q-1800-3	LC-Q-2100-3	LC-Q-2400-3	
Performance	Number of Heaters	2	2	2	2	2	2	3	3	3	3	3	
	Design Flow ¹ [GPM]	30	36	42	48	53	59	65	45	54	63	80	
	BTU Input [MBH]	798	1000	1200	1400	1600	1800	1998	1197	1500	1800	2400	
	Recovery at Δ70°F [GPM]	21.2	26.6	31.9	37.2	42.5	47.8	53.1	31.8	39.9	47.8	55.8	63.8
	Recovery at Δ100°F [GPM]	14.8	18.6	22.3	26.0	29.8	33.5	37.2	22.3	27.9	33.5	39.1	44.6
	Total Internal Volume [Gal]	260	260	260	260	260	260	260	390	390	390	390	390
	Max Gas Flow [ft ³ /hr]	798	1000	1200	1400	1600	1800	1998	1197	1500	1800	2100	2400
	Inlet Gas Pressure Requirements	Natural gas: 3.5 - 14" w.c. Propane: 8" - 13" w.c.											
Electrical Data ^{2,3}	Voltage [V], Phase, Frequency [Hz]	120, 1Ø, 60											
	Amps [A]	11 / unit											
Dimensions	Length [in]	123.5"				110"				167"			
	Depth [in]	63.8125"				75"				63.8125"			
	Height [in]	100"				100"				100"			
	Dry Weight [lbs]	2900				3000				4000		4100	
	Wet Weight [lbs]	5400				5500		5600		7600		8000	

1. Design Flow calculated at 60°F to 140°F and blended to 125°F. For flow rates at other conditions, contact your Lync rep.
2. Electrical Data specific to each individual heater
3. Digital mixing system electrical data: Power: 115 – 230 V(AC) ± 10%, 50/60 Hz, 20 VA / Actuator Load: 24 V(DC), 0.55 A, 13 W



For dimensions on all models, please refer to dimensional drawings.
Dimensions and connection points are subject to change



Engineered Solutions

Fort Worth, TX • (817) 335-9531

© 2021 Lync